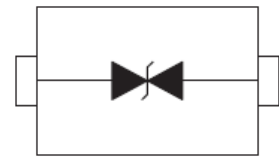
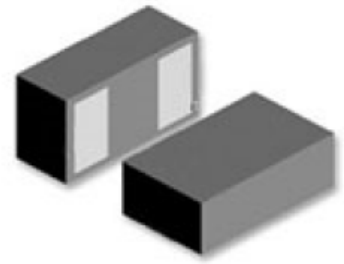


Ultra-low capacitance ESD Suppressor

超低电容 ESD 抑制器

- ESD protection of high-speed data lines exceeding IEC61000-4-2:
Contact discharge typical 8 kV, max 15kV
Air discharge typical 15 kV, max 25kV
- Extremely small form factor down to 1.10 x 0.55 x 0.35 mm³
- Continue working voltage: 12 Vdc max.
- Extremely low capacitance: 0.05pF typ.
- Very low clamping voltage: 35 V typ.
- Very low leakage current: <0.1 uA
- Pb-free (RoHS compliant) package
- 针对高速数据传输线路的 ESD 保护:
IEC61000-4-2,
接触放电典型值 8kV, 最大 15kV
空气放电典型值 15kV, 最大 25kV
- 极小的产品尺寸: 1.10 x 0.55 x 0.35 mm³
- 持续工作电压: 最大 12 Vdc
- 超低电容: 典型值 0.05pF
- 非常低的钳位电压: 典型值 35V
- 超低漏电流: 一般小于 0.1uA
- 无铅封装



Schematic Diagram

Application

应用

- Computers and peripherals, HDTV Equipment
- DVD Players, Satellite radio, Cell phones, Digital still cameras, Digital camcorders
- Set top boxes
- High speed data ports: USB 2.0/3.0, IEEE 1394b, HDMI 1.3, DVI
- Keyboard/key switch
- 计算机及外设, HDTV 设备等
- DVD 播放器, 卫星广播, 移动电话, 数码相机, 数码 DV 等
- 机顶盒
- 高速数据接口: USB 2.0/3.0, IEEE 1394b, HDMI 1.3, DVI
- 按键开关



Electrical Characteristics

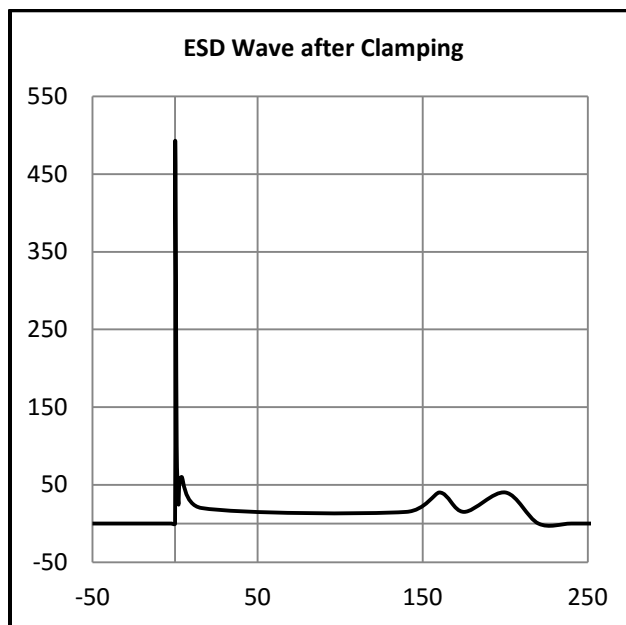
电气特性

| Specification | Units | Minimum | Typical | Maximum |
|---|--------|---|---------|---------|
| Operating Voltage 工作电压 | V (DC) | - | - | 12 |
| Clamping Voltage 钳位电压 | V | - | 35 | - |
| Trigger Voltage 触发电压 | V | - | 350 | - |
| Response time 反应时间 | ns | <1ns | | |
| ESD Threat Voltage Capability ESD 保护能力 | kV | IEC 61000-4-2, level 4 8 kV typical, 15kV max. Direct Discharge 15kV typical, 25kV max. Air Discharge | | |
| Capacitance (@1MHz) 电容 | pF | - | 0.05 | - |
| Leakage Current (@ 5Vdc) 漏电流 | uA | - | - | 0.10 |
| Operating Temperature 工作温度 | °C | -40 ~ +90 | | |

ESD Performance

The device react within 1ns to clamp the ESD voltage.

器件在 1ns 内快速反应以钳制 ESD 电压



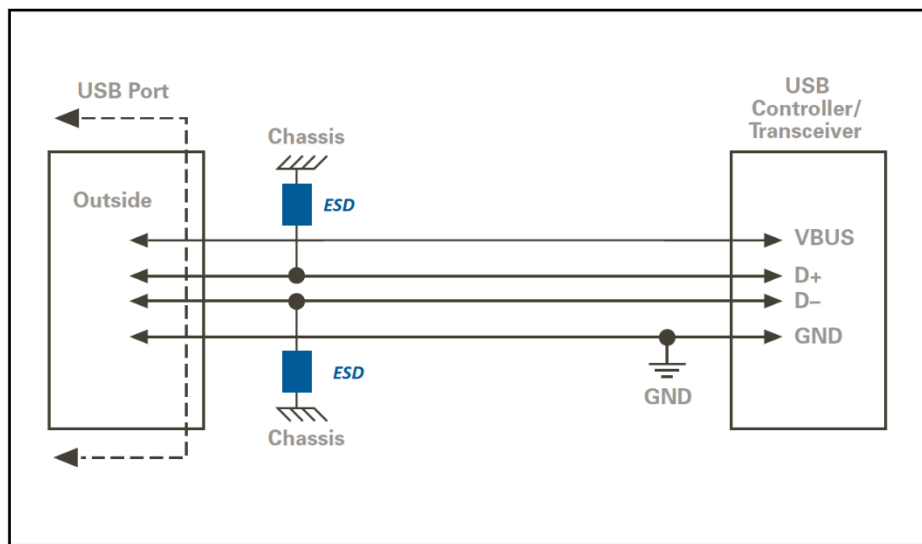
Application Examples

应用范例

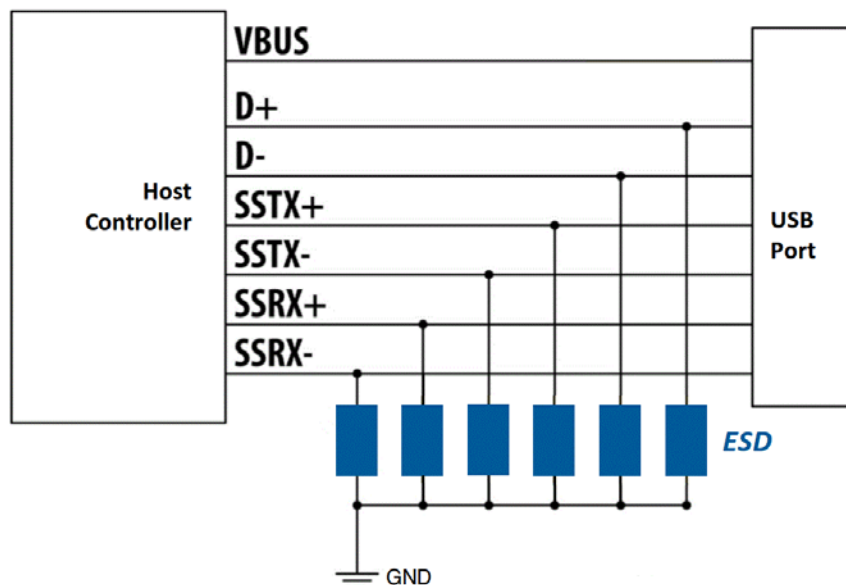
Single channel, Bi-directional

单通道, 双向无极性

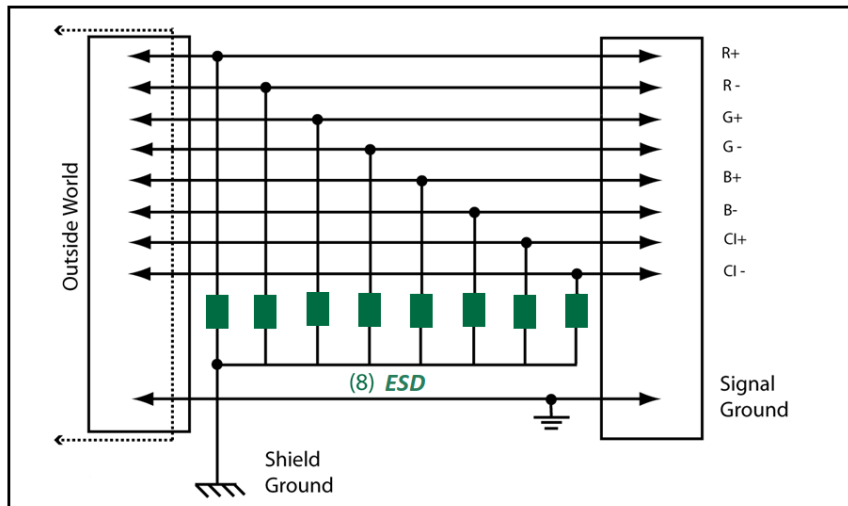
USB 2.0



USB 3.0

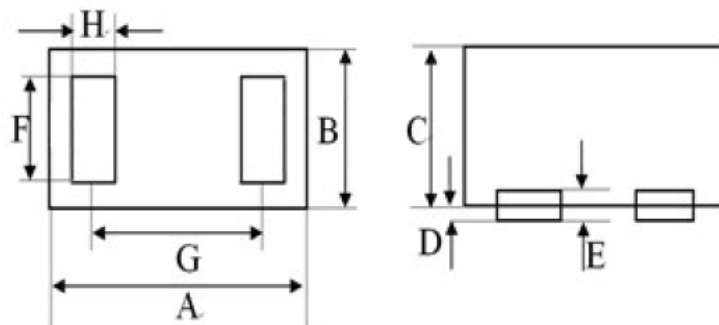


HDMI



Package outline

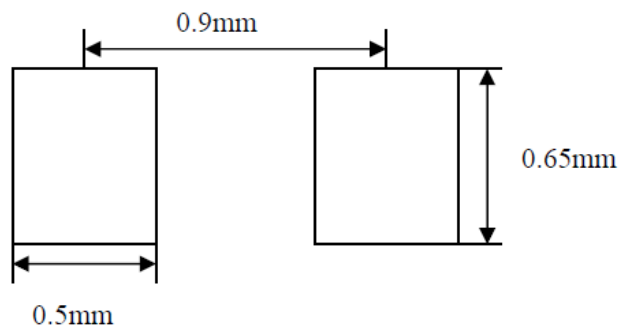
封装尺寸



| Dim. | millimeters | |
|------|-------------|------|
| | min | max |
| A | 0.90 | 1.20 |
| B | 0.45 | 0.65 |
| C | 0.30 | 0.40 |
| D | 0.00 | 0.05 |
| E | 0.125Ref. | |
| F | 0.40 | 0.50 |
| G | 0.65BSC | |
| H | 0.25 | 0.35 |

Soldering pad (mm/inch)

建议焊盘尺寸

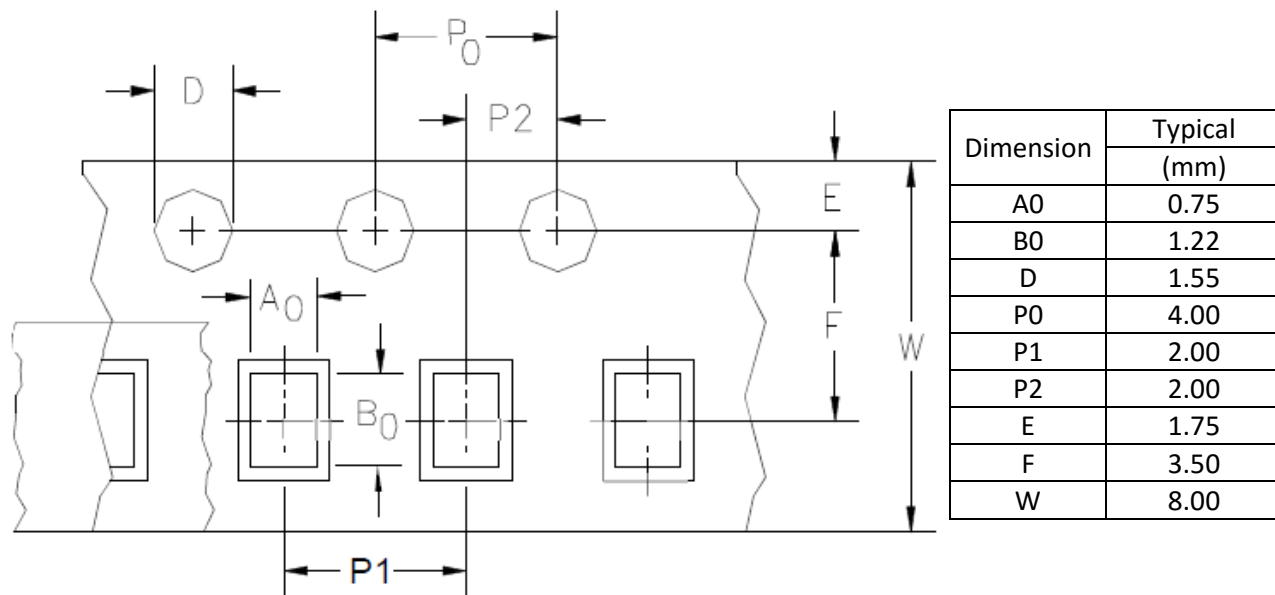


Note: Print solder in thickness of 0.08mm to 0.10mm

注: 锡膏印刷厚度 0.08 毫米到 0.10 毫米

Standard Packing

标准包装



10000pcs in 7" reel per EIA Standard 481.

Edition: 2016-04-05

Published By

Advanced SurgeTech Materials Ltd.

All Rights Reserved.